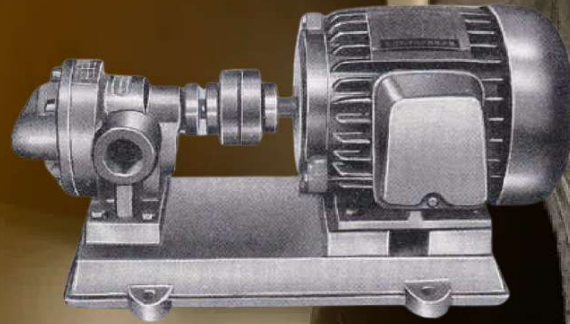


NEWTONUS PUMP

**SANITARY/ GEAR PUMP
(GN/GR model)**



We are professional engineers for energy saving pump & piping

Application :

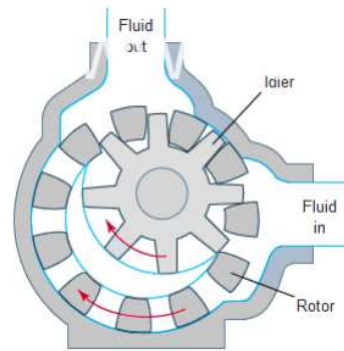
- Stainless steel (GR model) : Industrial of Food & Beverage industry, for transfer of palm oil; salad oil; molasses sugar; honey,
- Cast iron (GN model) : Industrial of oil & fuel for transfer of oil; solar fuel; paint liquid

Specification :

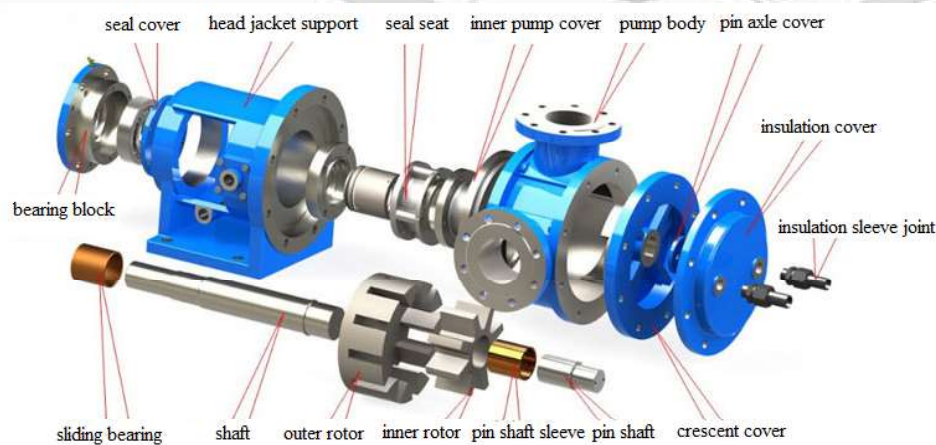
- Maximum flow 650 M3/hour
- Maximum pressure 14,5 Bar
- Liquid temperatur to 300 deg.C
- Liquid viscosity is 3.000 to 20.000 CPS
- Maximum working pressure 16 Bar
- Inlet/outlet diameter DN15 - DN100

Electric motor :

- 3Ph/380V-415V/50Hz
- 1Ph/220V-240V/50Hz
- Insulation class F, protection clas IP55
- Maximum power : 250 kW



Component :



Engineering & pricing solution

The energy saving & long life time of pump is our focus. The pump energy saving is not only determined by pump efficiency, but also depending by pipe diameter, controller, etc. Therefore we are ready to give consultation or training of piping engineering (Free of charge) before purchase the pumps, for as below :

- Calculation to determine the pump flow & total head, pipe diameter & material (inlet/ outlet pipe)
- To avoid cavitation, the suction pipe (negative/positive suction) should be calculated max. suction lift (Hs).
- Selection of pump controller according to the application system
- Selection of pump type according to flow, total head, material and electrical power
- Selection of cheaper price with similar or better pump & application

Konsultasi : WA, BIP 0877 7067 8615, email : engineering@newtonus.com, engineering.newtonus@gmail.com

ELECTRICAL & PERFORMANCE :

Model GN	Flow m ³ /h	Speed N r/min	Pressure P MPa	NPSHR m	Efficiency η %	kW Power
1.1	1.1	1400	1.45	5	59	1.5
2	2	1420	1.45	5	59	2.2
3.3	3.3	1400	0.33	7	41	1.5
5	5	1420	0.33	7	43	2.2
8	8	940	0.33	5	46	2.2
12	12	1440	0.33	5	46	4
18	18	960	0.36	5	42	5.5
29	29	1440	0.36	5.5	42	11
38	38	970	0.28	6	43	11
58	58	960	0.28	6.5	43	22
72	72	1200	0.6	7	43	37
96	96	1600				45
108	108	1800	0.6	7.5	43	55
150	150	2500				75
171	171	2850	0.6	8	44	90
228	228	3800				110
246	246	4100	0.6	8	44	132
324	324	5400				160
336	336	5600	0.6	8	44	160
456	456	7600				200
420	420	7000	0.6	8	44	185
576	576	9600				250

