

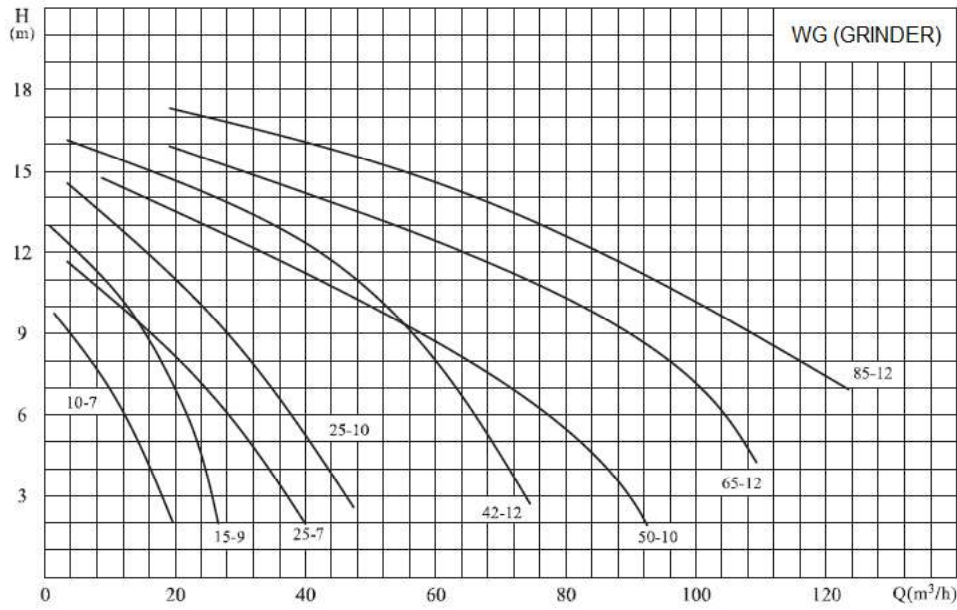
TECHNICAL DATA

SUBMERSIBLE SEWAGE/WASTE WATER PUMP
WG model (Grinder)



Technical data

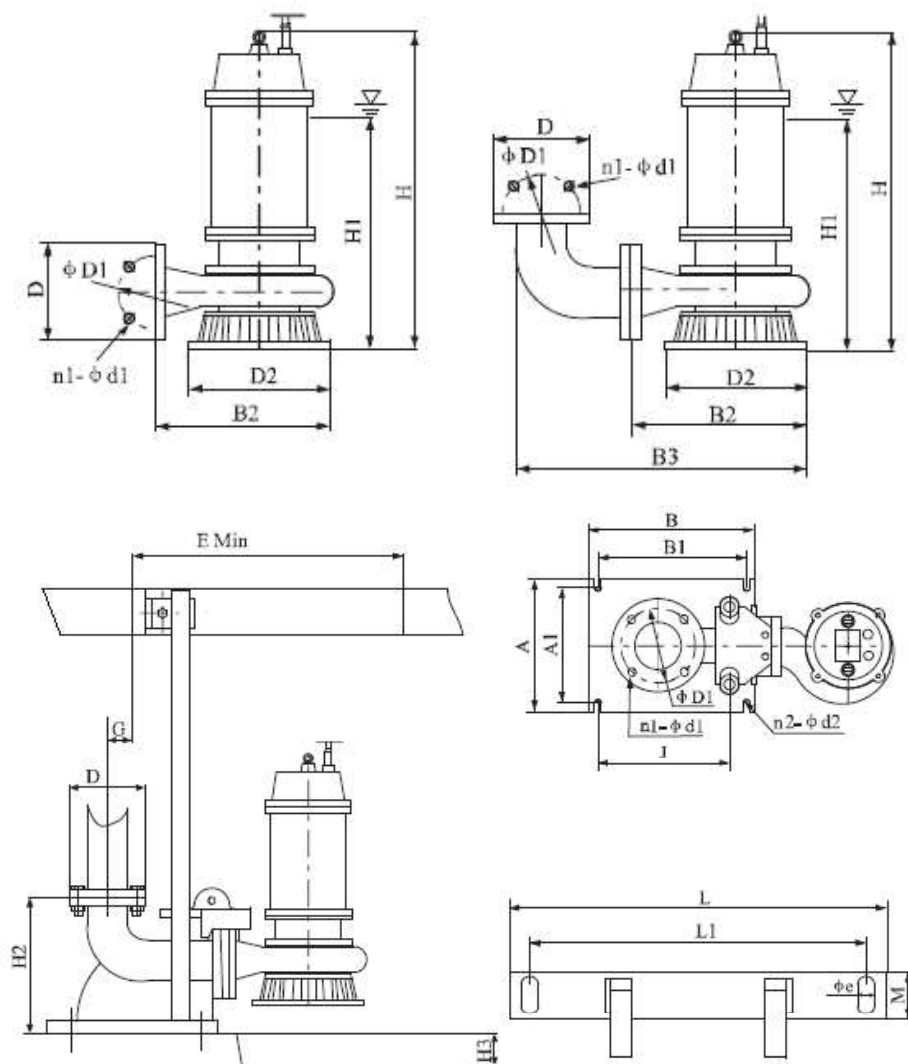
Model : WG (Grinder)/ 50HZ



Model	Speed	Power (kW)	Current (A)	Dimensions(mm)							Weight (kg)	
	(rpm)			H	H1	B3	B2	D2	d	D		D1
50-10-7	2860	0.75	2.0	450	340	300	210	190	50	140	110	20
50-15-9	2860	1.1	2.8	480	370	300	210	190	50	140	110	23
50-25-7	2860	1.5	4.0	520	410	360	270	200	50	140	110	28
50-25-10	2860	2.2	6.0	550	440	360	270	200	50	140	110	30
80-42-12	2860	3	6.5	600	490	420	300	250	76	190	150	57
80-50-10	2860	4	8.4	630	520	420	300	250	76	190	150	60
100-65-12	2860	5.5	12.0	700	560	500	340	260	100	210	170	85
100-85-12	2860	7.5	16.8	740	600	500	340	260	100	210	170	94

Technical data

Model : WG (Grinder)/ 50HZ



No.	Model WNWRWG	Flange connection size PN6 (mm)			Coupling base dimensions (mm)					G	H2	H3	L	L1	m	Φe	E	Railing dia.
		D	D1	n1-φd1	A	A1	B	B1	n2-φd2									
1	50	140	110	4-Φ14	197	168	285	206	4-Φ16	90	250	160	265	220	50	13	550×550	1"
2	65	160	130	4-Φ14	238	200	320	240	4-Φ16	130	265	165	280	235	50	13	650×600	1"
3	80	190	150	4-Φ18	278	238	354	260	4-Φ18	165	285	165	315	260	50	13	650×600	1.5"
4	100	210	170	4-Φ18	320	260	375	300	4-Φ18	175	305	185	410	315	60	15	750×650	1.5"
5	150	265	225	8-Φ18	400	300	410	350	4-Φ18	190	480	200	410	260	60	15	1000×800	1.5"
6	200	320	280	8-Φ18	400	300	450	350	4-Φ18	230	550	200	410	260	60	15	1300×900	1.5"
7	250	375	335	12-Φ18	460	360	560	430	4-Φ24	230	630	200	410	260	60	15	1600×1300	1.5"
8	300	440	395	12-Φ22	600	540	600	540	4-Φ24	375	650	250	700	615	150	20	1600×1300	2"
9	350	490	445	12-Φ22	600	540	600	540	4-Φ24	390	700	250	700	615	150	24	1600×1300	2"

Technical data

NEWIONUS