

NEWTONUS PUMP

SUBMERSIBLE SEWAGE & WASTE WATER PUMP NON CLOGGING

- **WR (Stainless Steel SS304)**
- **WN (Cast Iron)**
- **WG (Cutter) Model**



We are professional engineers for energy saving pump & piping

Application :

- Commercial Building (Transfer, dewatering, drainage)
- Industrial, power plant (Transfer, dewatering, drainage)
- Water Treatment (Transfer, process)
- Agriculture, farming (Transfer, irrigation, dewatering, drainage)
- Mining (Transfer, dewatering, drainage)
- Sea water desalination (Transfer)
- Pontoon pump (Dewatering, drainage, flood control)

Specification :

- Max. flow 160 M3/hour
- Max. head 60 meter
- Liquid temperatur <50 deg.C (WN model), < 70deg.C (WR model)
- Max. working pressure 10Bar
- Liquid pH 4-10 (WN model), pH 2-12 (WR model)
- Waste water with solid & long fabric (WN model)
- Waste water corrosive with solid & long fabric (WR model)

Electric motor :

- 3Ph/380V-415V/50Hz/2P
- Insulation class F, protection class IPX8
- Maximum power : 110 kW

Features :

- The pump have 3 model option ie. WN model (cast iron), WR model (SS304) & WG model (with grinder/cutting)
- Non clogging/ channel impeler will maintain of performance and avoid of clogging in the pump
- Tandem mechanical seal wil increase the reliable and long life time of pump

Engineering & pricing solution

The energy saving & long life time of pump is our focus. The pump energy saving is not only determined by pump efficiency, but also depending by pipe diameter, controller, etc. Therefore we are ready to give consultation or training of piping engineering (Free of charge) before purchase the pumps, for as below :

- Calculation to determine the pump flow & total head, pipe diameter & material (inlet/ outlet pipe)
- To avoid cavitation, the suction pipe (negative/positive suction) should be calculated max. suction lift (Hs).
- Selection of pump controller according to the application system
- Selection of pump type according to flow, total head, material and electrical power
- Selection of cheaper price with similar or better pump & application
- Contact, WA/ email 0877 7067 8615, engineering@newtonus.com, engineering.newtonus@gmail.com

Konsultasi : WA, BIP 0877 7067 8615, email : engineering@newtonus.com, engineering.newtonus@gmail.com



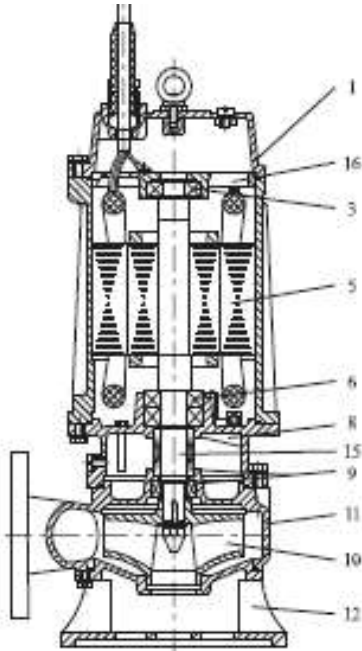
WR (Stainless steel SS304)



WN (Cast Iron)/WG (Cutter)

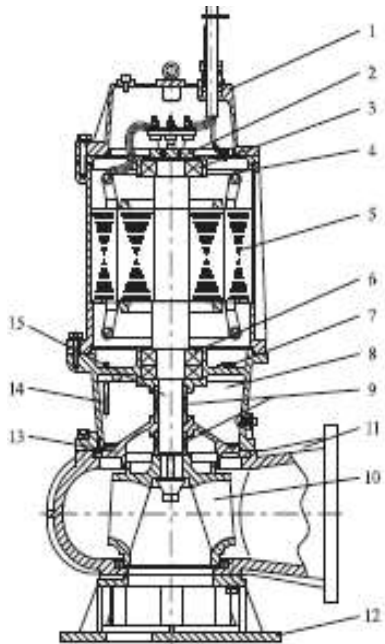
Component & Material :

WN/WR model <11kw

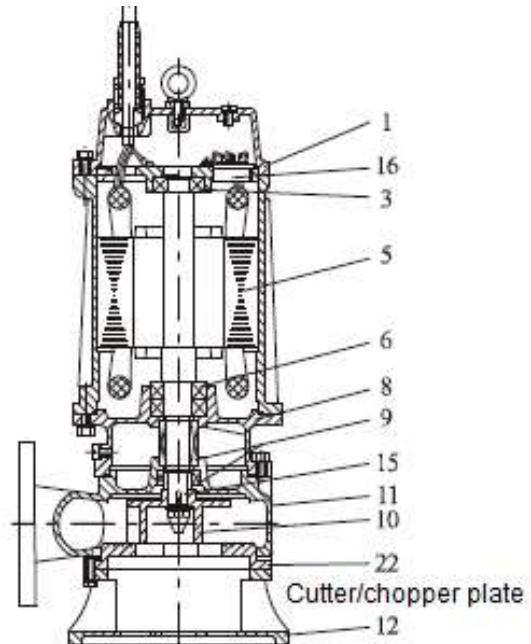


No	Name	Material
1	Pump cover	Cast iron (WN/WG) Stainless steel (WR)
2	Upper bearing seat	Cast iron
3	Bearing	
4	Heat control switch	
5	Motor	
6	Bearing	
7	Water in detector	
8	Oil chamber	Cast iron (WN/WG) Stainless steel (WR)
9	Mechanical seal	SiC/Tungsten Carbide
10	Impeller	Cast iron (WN/WG) Stainless steel (WR)
11	Casing	Cast iron (WN/WG) Stainless steel (WR)
12	Base	Cast iron (WN/WG) Stainless steel (WR)
13	Oil chamber cover	Stainless steel
14	Oil water detector	
15	Shaft	Stainless steel
16	Thermal protector	

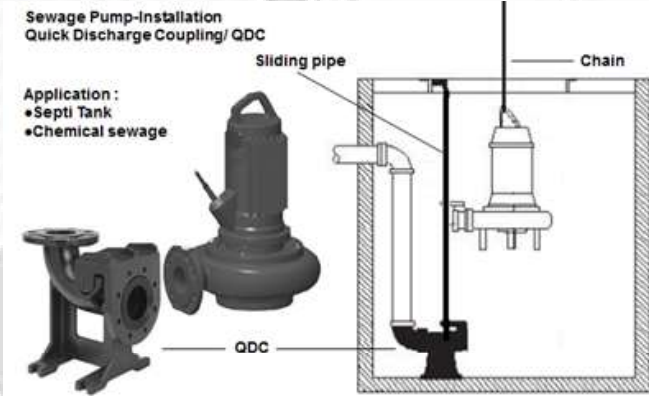
WN/WR model >11kw



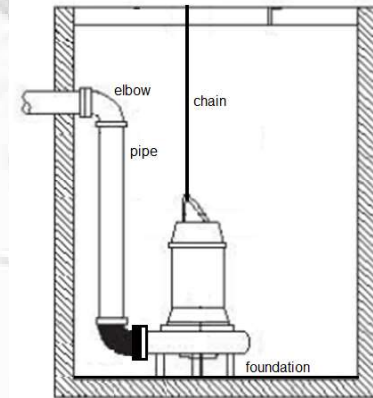
WG model



Pump Installation:

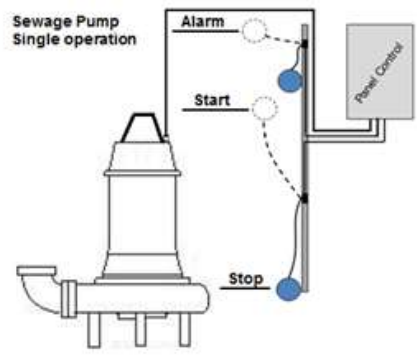


Installation with QDC (Quick discharge coupling)

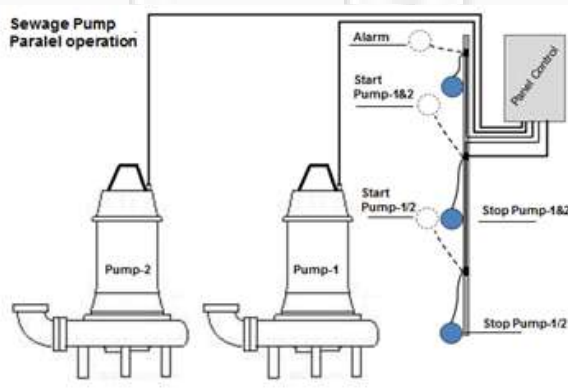


Installation, free standing

Operational installation :



Single operation with external controller



Paralel operation with external controller