

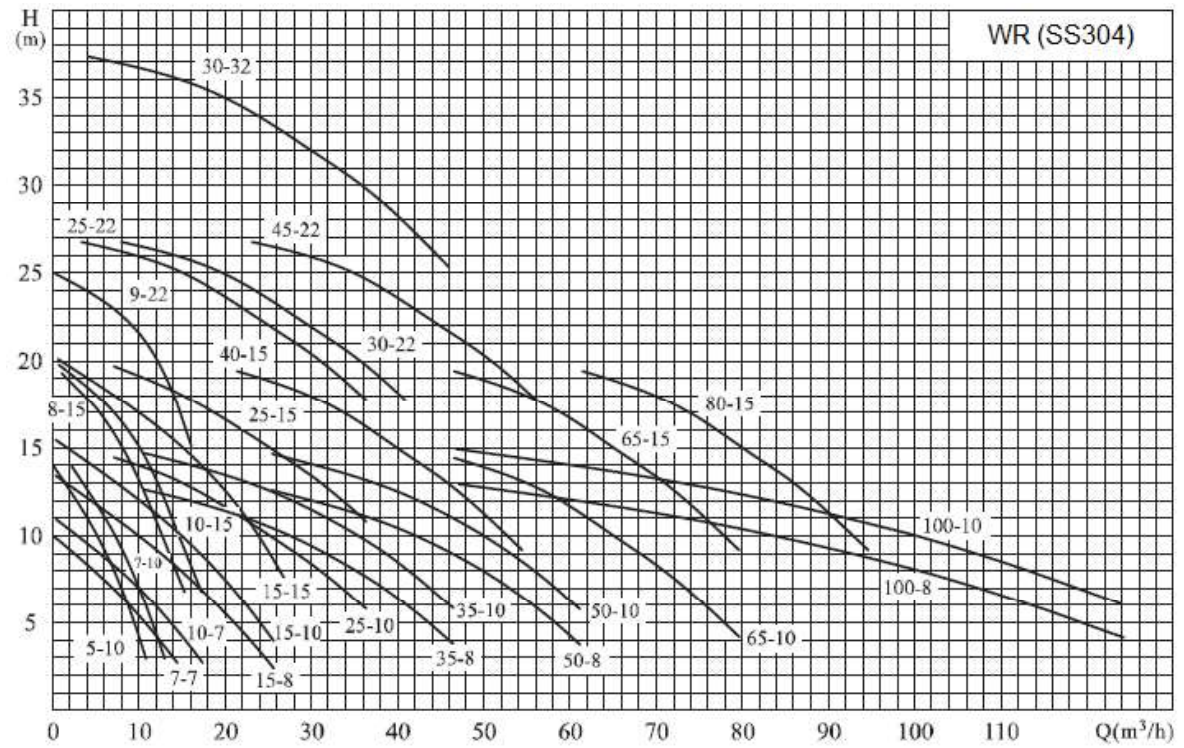
TECHNICAL DATA

**SUBMERSIBLE SEWAGE/WASTE WATER PUMP
WR model (Stainless steel), Non clogging**



Technical data

Model : WR (SS304)/ 50HZ



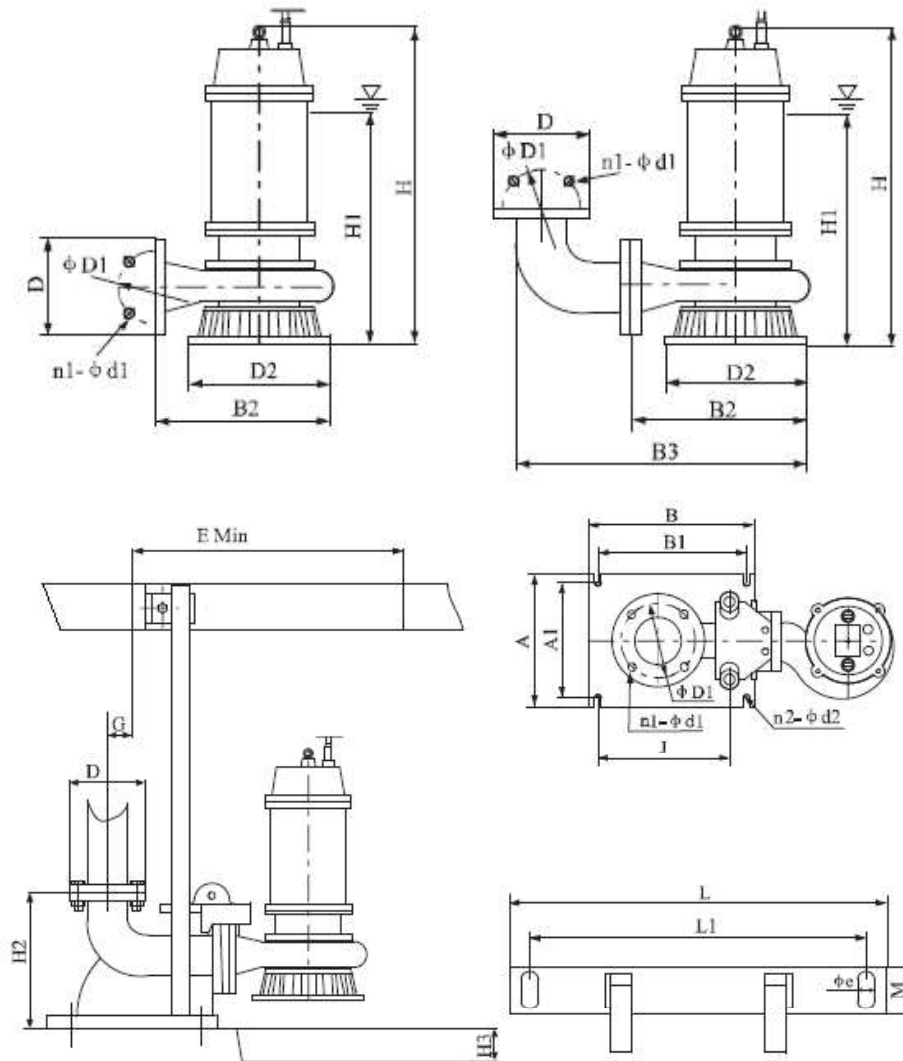
Technical data

Dimension & electrical : WR (SS304)/ 50HZ

Model	Speed	Power	Current	Max. dia. of passing solid	Dimensions(mm)								Weight (kg)
	(rpm)	(kW)	(A)	(mm)	H	H1	B3	B2	D2	d	D	D1	
50 - 7-7	2860	0.55	1.6	15	430	300	330	230	190	50	140	110	18
50 - 5-10	2860	0.55	1.6	15	430	300	330	230	190	50	140	110	18
50 - 10-7	2860	0.75	2.0	20	430	300	330	230	190	50	140	110	18
50 - 7-10	2860	0.75	2.0	20	430	310	330	230	190	50	140	110	18
50 - 15-8	2860	1.1	2.8	20	430	310	330	230	190	50	140	110	20
50 - 8-15	2860	1.1	2.8	20	430	310	330	230	190	50	140	110	20
50 - 15-10	2860	1.5	4.0	20	485	330	350	250	200	50	140	110	28
50 - 10-15	2860	1.5	4.0	20	485	330	350	250	200	50	140	110	28
50 - 25-10	2860	2.2	6.0	25	485	345	350	250	200	50	140	110	30
50 - 15-15	2860	2.2	6.0	20	485	345	350	250	200	50	140	110	30
50 - 9-22	2860	2.2	6.0	20	485	345	350	250	200	50	140	110	30
50 - 25-15	2860	3	6.5	20	510	400	370	270	200	50	140	110	37
50 - 25-22	2860	4	8.4	25	600	440	380	280	250	50	140	110	48
50 - 30-32	2860	7.5	16.8	25	640	500	440	346	320	50	160	130	63
65 - 35-8	2860	2.2	6.0	25	485	345	380	250	200	65	160	130	30
65 - 35-10	2860	3	6.5	25	520	420	400	270	200	65	160	130	37
65 - 40-15	2860	4	8.4	30	610	440	410	280	250	65	160	130	48
65 - 30-22	2860	5.5	12.0	25	630	470	420	290	250	65	160	130	55
80 - 50-8	2860	3	6.5	30	520	420	400	270	200	76	190	150	37
80 - 50-10	2860	4	8.4	30	610	440	410	280	250	76	190	150	48
80 - 65-15	2860	5.5	12.0	30	630	470	420	290	250	76	190	150	55
80 - 45-22	2860	7.5	16.8	30	650	490	440	310	290	76	190	150	68
100 - 65-10	2860	4	8.4	30	610	440	440	280	250	100	210	170	48
100 - 100-8	2860	5.5	12.0	35	640	480	420	290	250	100	210	170	58
100 - 80-15	2860	7.5	16.8	30	660	500	460	310	290	100	210	170	73
100 - 100-10	2860	7.5	16.8	35	660	500	460	310	290	100	210	170	73

Technical data

Dimension & electrical : WR/ 50HZ



No.	Model WN/WR/WG	Flange connection size PN6 (mm)			Coupling base dimensions (mm)					G	H2	H3	L	L1	m	Φe	E	Railing dia.
		D	D1	n1-φd1	A	A1	B	B1	n2-φd2									
1	50	140	110	4-Φ14	197	168	285	206	4-Φ16	90	250	160	265	220	50	13	550×550	1"
2	65	160	130	4-Φ14	238	200	320	240	4-Φ16	130	265	165	280	235	50	13	650×600	1"
3	80	190	150	4-Φ18	278	238	354	260	4-Φ18	165	285	165	315	260	50	13	650×600	1.5"
4	100	210	170	4-Φ18	320	260	375	300	4-Φ18	175	305	185	410	315	60	15	750×650	1.5"
5	150	265	225	8-Φ18	400	300	410	350	4-Φ18	190	480	200	410	260	60	15	1000×800	1.5"
6	200	320	280	8-Φ18	400	300	450	350	4-Φ18	230	550	200	410	260	60	15	1300×900	1.5"
7	250	375	335	12-Φ18	460	360	560	430	4-Φ24	230	630	200	410	260	60	15	1600×1300	1.5"
8	300	440	395	12-Φ22	600	540	600	540	4-Φ24	375	650	250	700	615	150	20	1600×1300	2"
9	350	490	445	12-Φ22	600	540	600	540	4-Φ24	390	700	250	700	615	150	24	1600×1300	2"